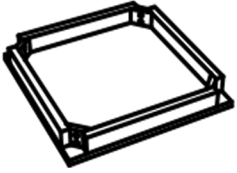
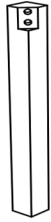


User Instruction

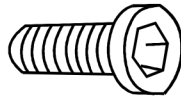
Ax1



Bx4

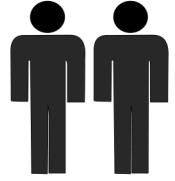


Cx8



M8X40

Dx8

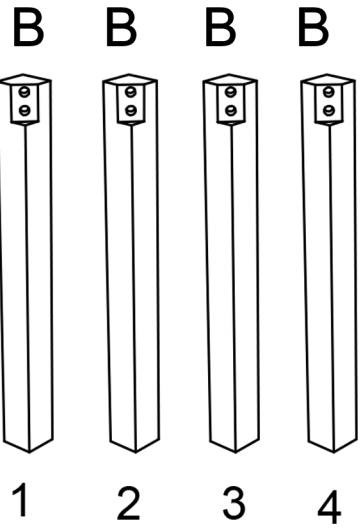
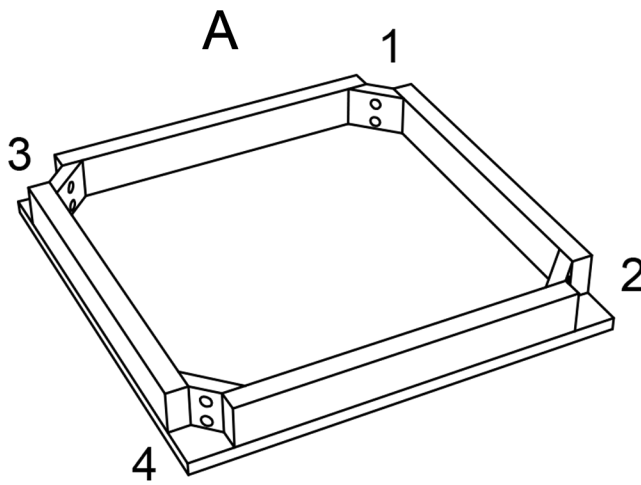


Require 2 Persons for assembly

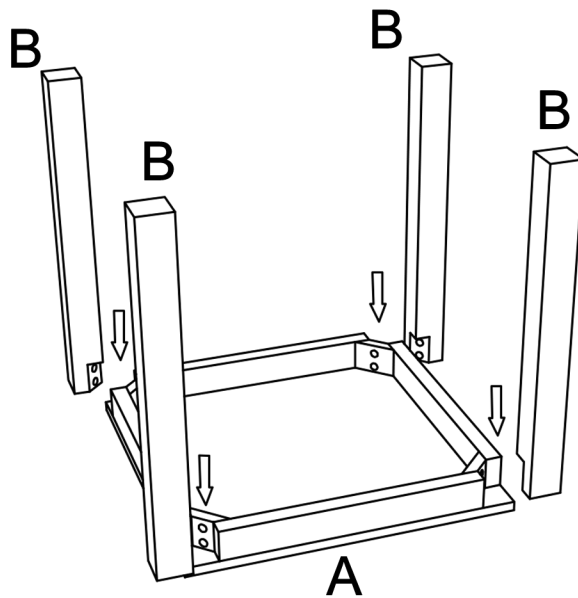
Ex1



STEP-1 UNPACK ALL PARTS (TOP A AND LEG B) CAREFULLY



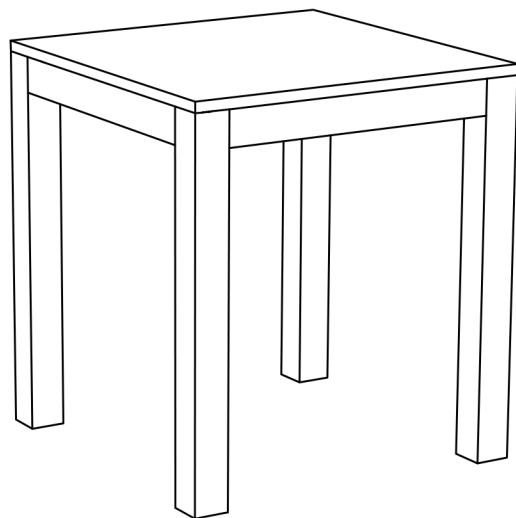
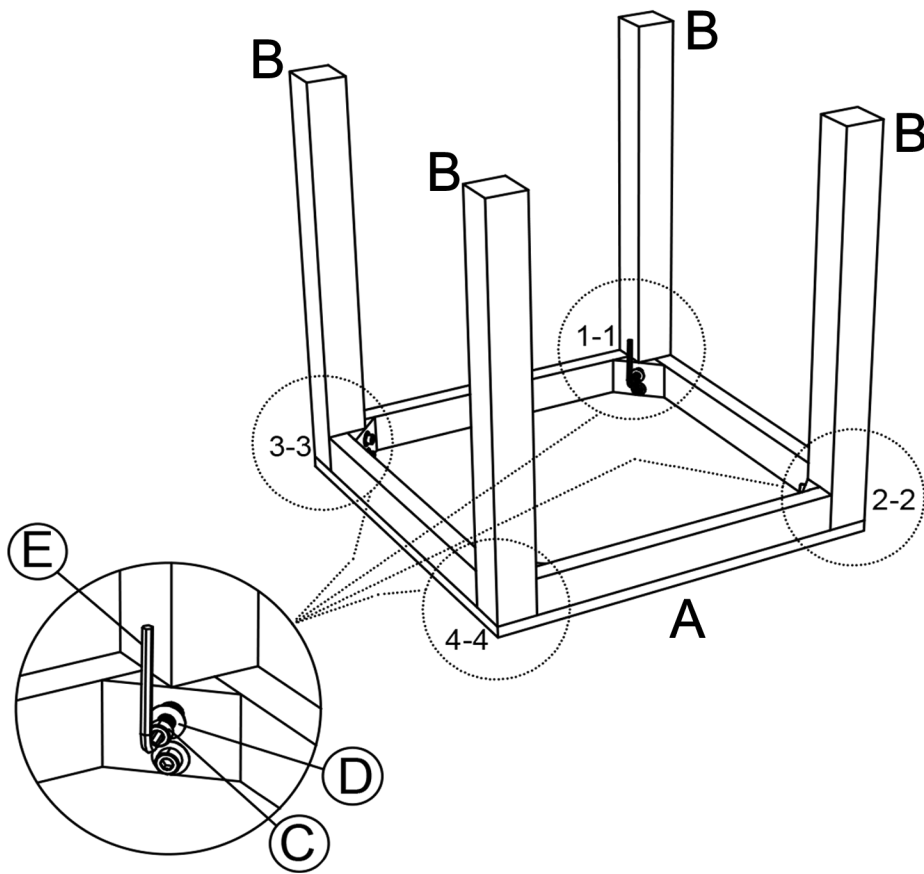
STEP-2



Place part (B) on (A)

STEP-3

ASSEMBLE PART (A) & (B) BY MATCHING NUMBER (1-1,2-2,3-3,4,4) USING THE HARDWARE (C) AND (D) WITH THE HELP OF ALLEN KEY (E)



Assembled Piece